

Customizable

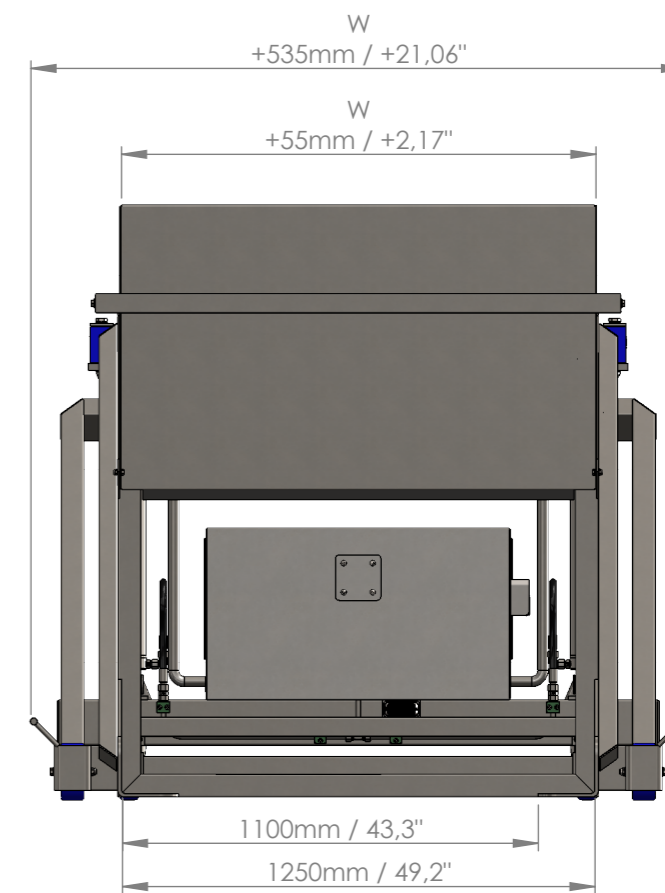
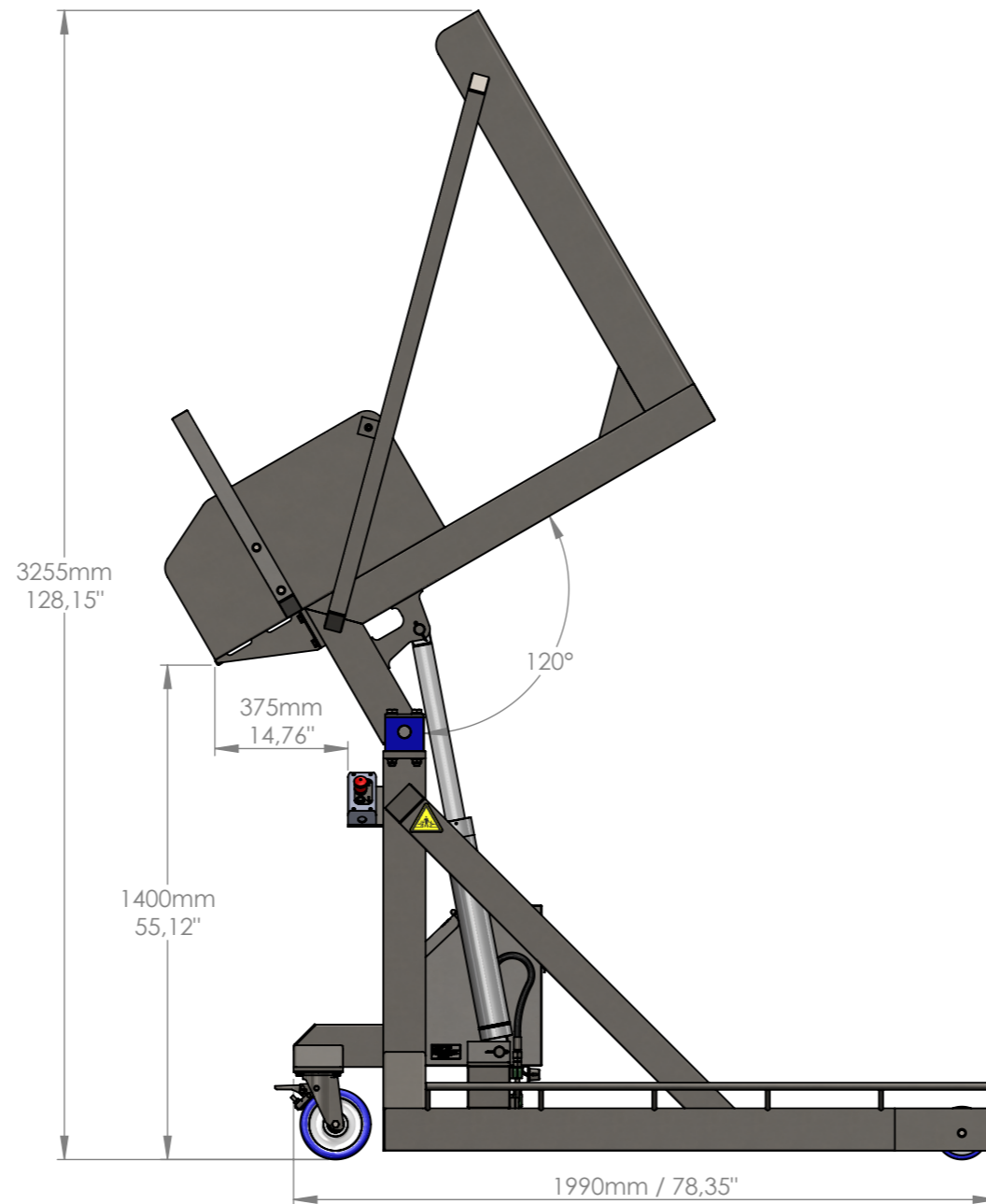
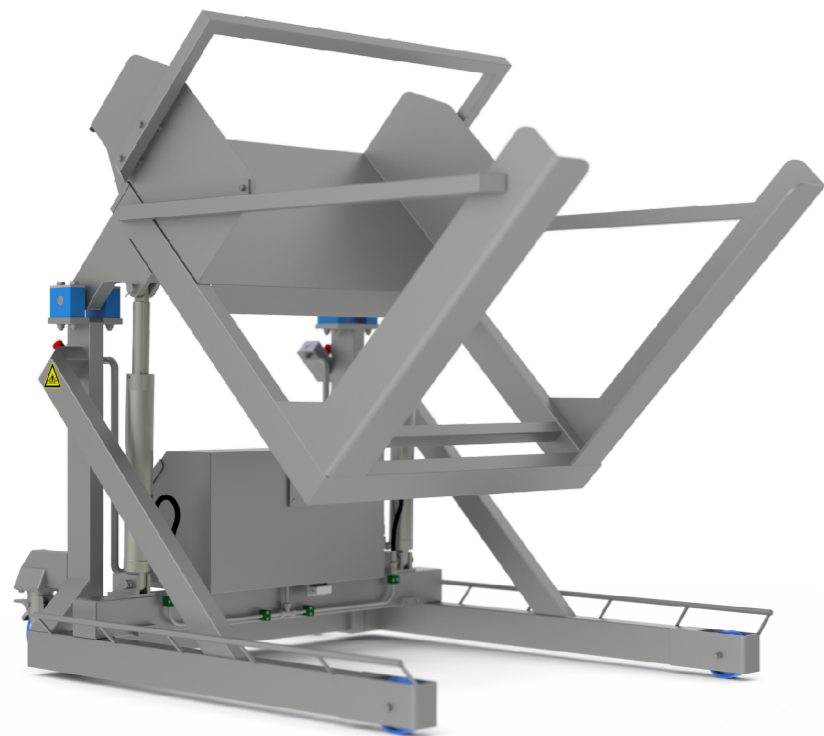
Demands:

Bin Measures (LxWxH): x x

Bin Weight: _____

Max. 1500 kg. / 3300 lb.

Type: CD



DIMENSIONS TOLERANCES: LINEAR: ±5mm / ±0,2" ANGULAR: ±1°		PROJECTION METHOD
NAME	DATE	
DRAWN RL	24-2-2016	
CHK'D BvO	24-2-2016	

BACKsaver
work hard lift smart

Kruisbroeksestraat 17
5281 RV Boxtel
the Netherlands

info@backsaver.nl
www.backsaver.nl
Tel. +31(0)411 672652

DO NOT SCALE DRAWING	
CLIENT:	Van Oirschot Roestvrijsaal B.V.
TITLE:	BSMCD
DWG NO.	15161
SCALE:1:20	SHEET 1 OF 1

PROPRIETARY AND CONFIDENTIAL
THE INFORMATION CONTAINED IN THIS DRAWING IS THE SOLE PROPERTY OF VAN OIRSCHOT ROESTVRIJSTAAL BV - BOXTEL, THE NETHERLANDS. ANY REPRODUCTION IN PART OR AS A WHOLE WITHOUT THE WRITTEN PERMISSION OF VAN OIRSCHOT ROESTVRIJSTAAL BV - BOXTEL, THE NETHERLANDS IS PROHIBITED.

MATERIAL:
AISI304 (1.4301) / AISI316 (1.4404)

FINISH:
Glass bead blasting



A3