

**Customizable**

Demands:

---



---



---



---



---



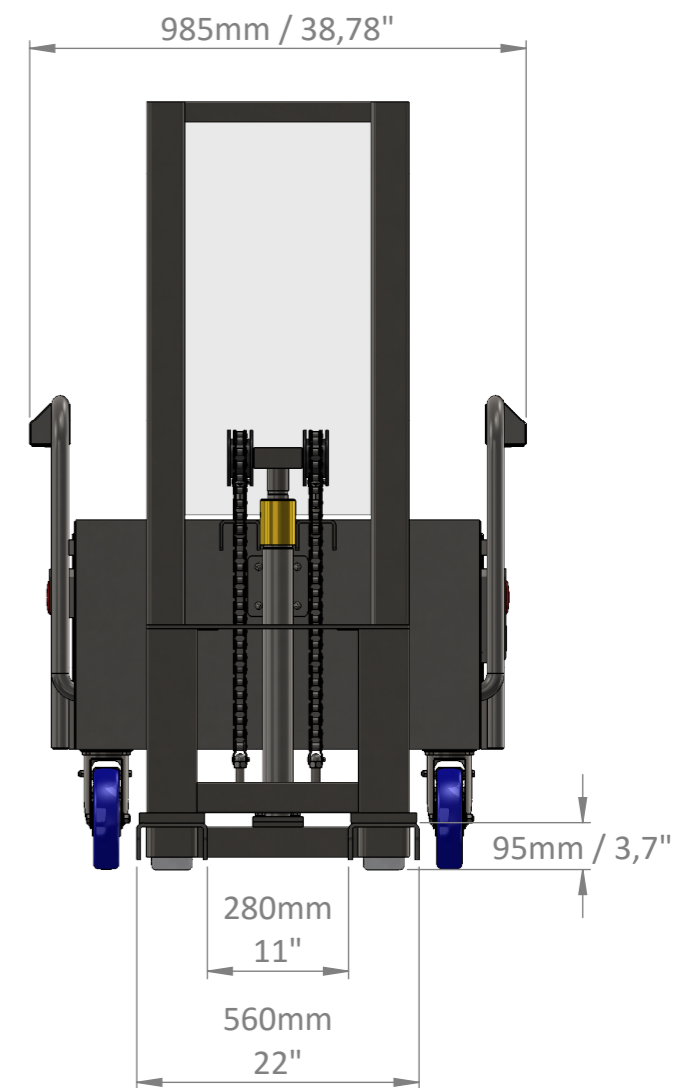
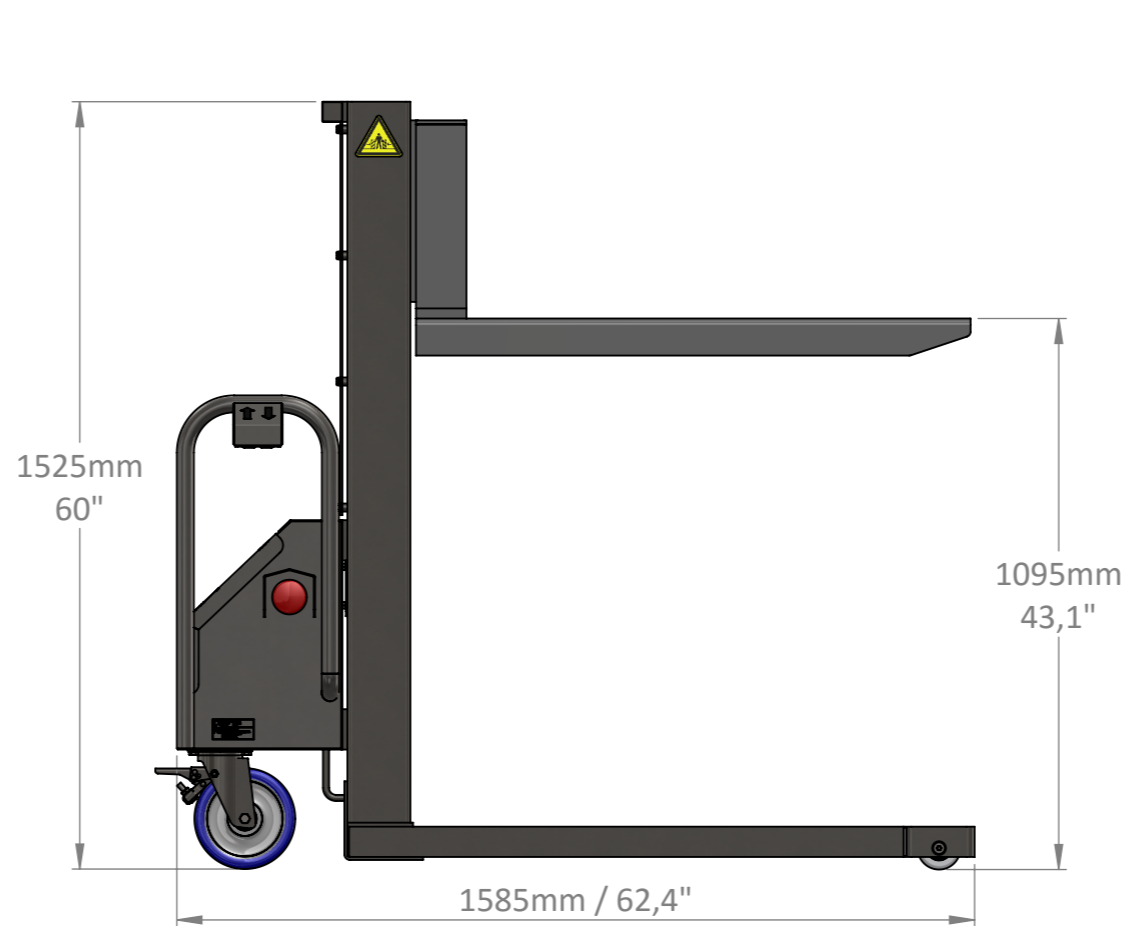
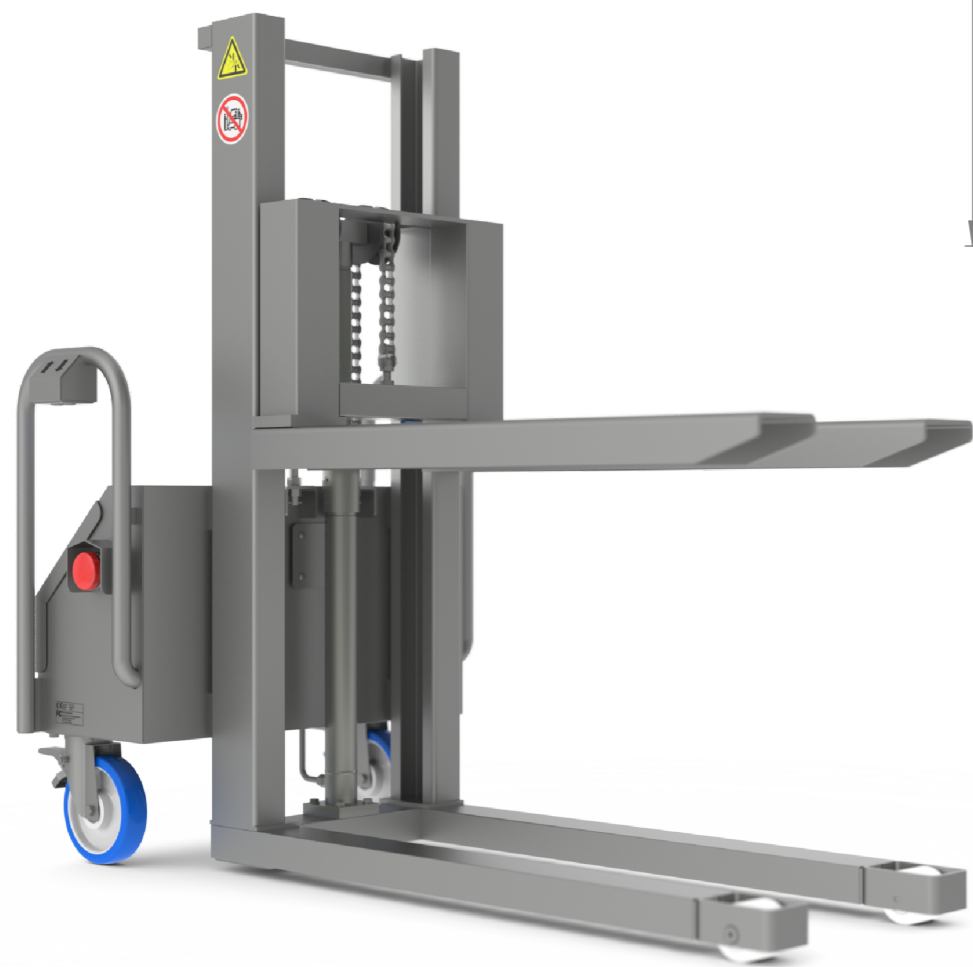
---

Bin Measures (LxWxH):      x      x

Bin Weight: \_\_\_\_\_

Max. 900 kg. / 2000 lb.

**Type: PL**



DIMENSIONS TOLERANCES: LINEAR: ±5mm / ±0,2" ANGULAR: ±1°		PROJECTION METHOD 	<b>BACKsaver</b> work hard lift smart	DO NOT SCALE DRAWING						
<table border="1"> <thead> <tr> <th>NAME</th> <th>DATE</th> </tr> </thead> <tbody> <tr> <td>DRAWN RL</td> <td>24-2-2016</td> </tr> <tr> <td>CHK'D BvO</td> <td>24-2-2016</td> </tr> </tbody> </table>		NAME	DATE	DRAWN RL	24-2-2016	CHK'D BvO	24-2-2016	Kruisbroeksestraat 17 5281 RV Boxtel the Netherlands  info@backsaver.nl www.backsaver.nl Tel. +31(0)411 672652		CLIENT: Van Oirschot Roestvrijstaal B.V.
NAME	DATE									
DRAWN RL	24-2-2016									
CHK'D BvO	24-2-2016									
<b>PROPRIETARY AND CONFIDENTIAL</b> THE INFORMATION CONTAINED IN THIS DRAWING IS THE SOLE PROPERTY OF VAN OIRSCHOT ROESTVRIJSTAAL BV - BOXTEL, THE NETHERLANDS. ANY REPRODUCTION IN PART OR AS A WHOLE WITHOUT THE WRITTEN PERMISSION OF VAN OIRSCHOT ROESTVRIJSTAAL BV - BOXTEL, THE NETHERLANDS IS PROHIBITED.		MATERIAL: AISI304 (1.4301) / AISI316 (1.4404)	FINISH: Glass bead blasting	TITLE: BSMPL						
		DWG NO. SW_14161	A3	SCALE:1:15 SHEET 1 OF 1						