

**Customizable**

Demands:

---



---



---



---



---

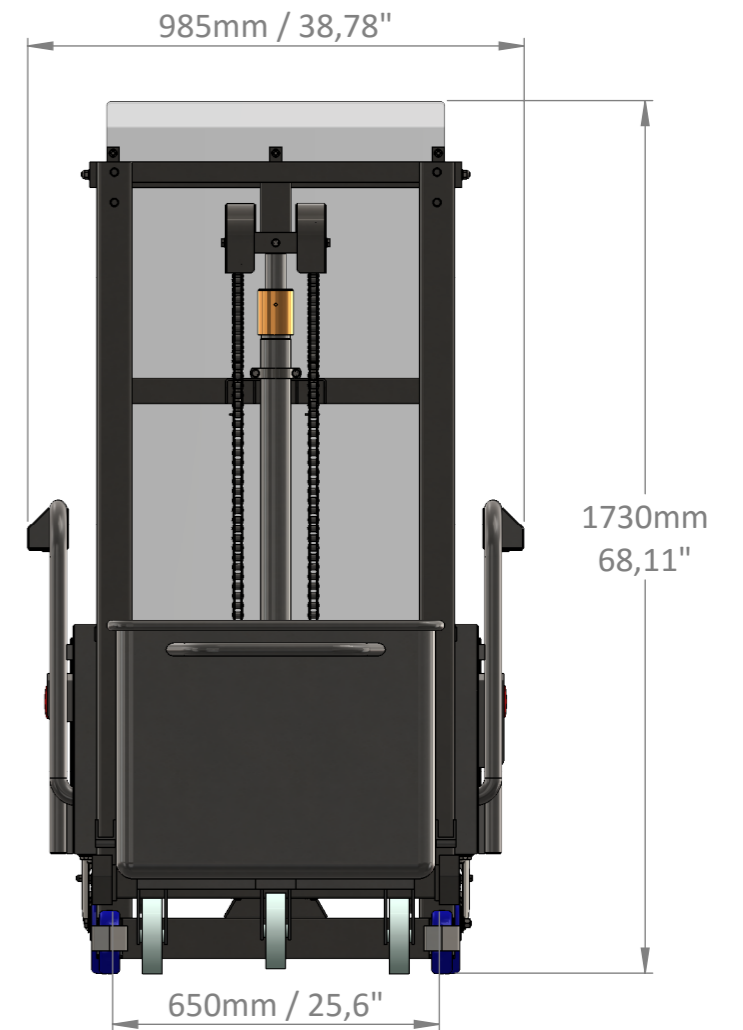
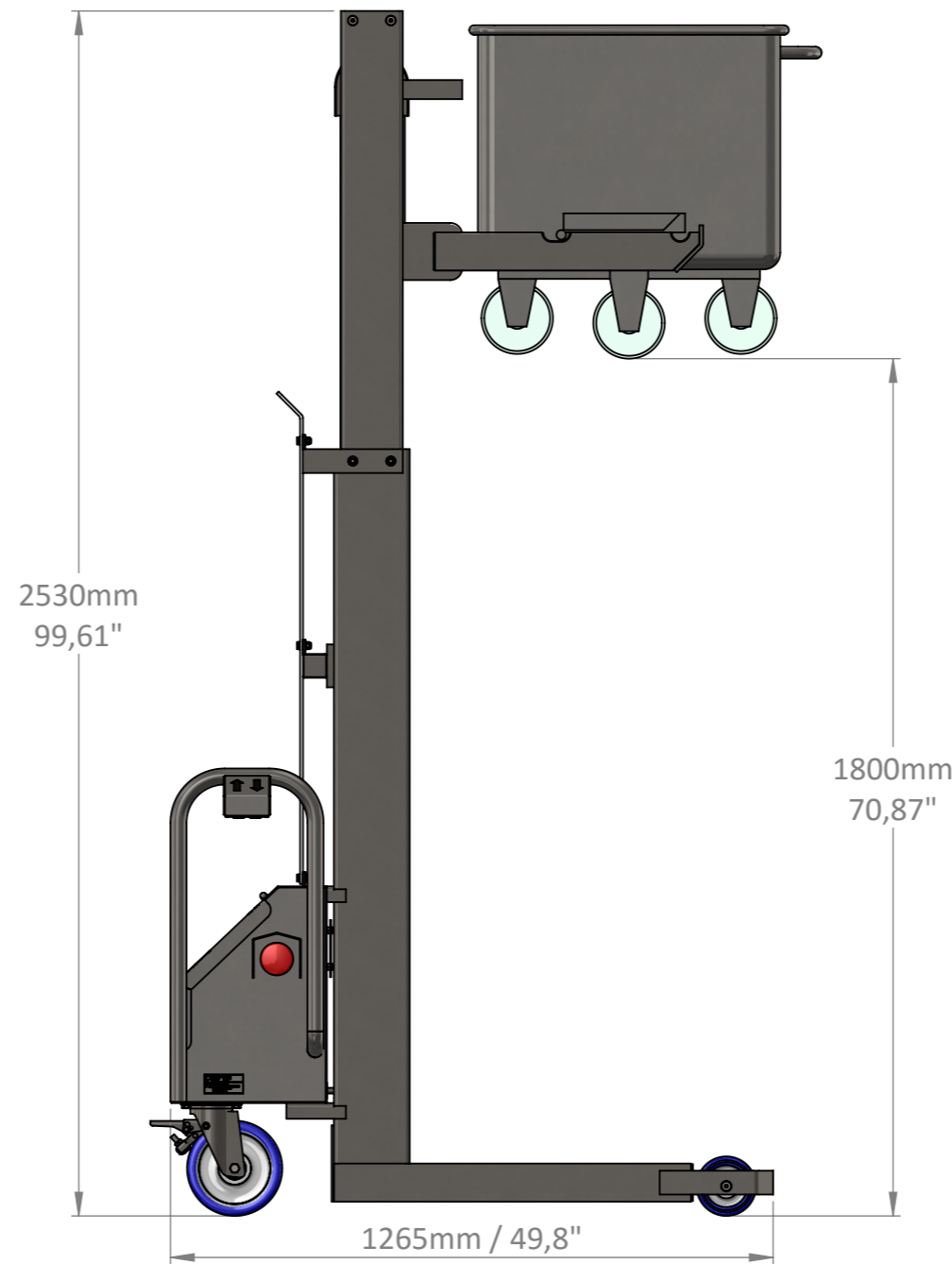


---

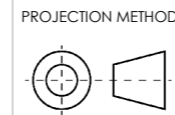
**Bin Measures: 200 l. / 300 l. Norm Trolley (DIN 9797)**

**Max. 400 kg. / 880 lb.**

**Type: SNT**



DIMENSIONS TOLERANCES:  
 LINEAR: ±5mm / ±0.2"  
 ANGULAR: ±1°



**BACKsaver**  
 work hard lift smart

DO NOT SCALE DRAWING

	NAME	DATE
DRAWN	RL	24-2-2016
CHK'D	BvO	24-2-2016

Kruisbroeksestraat 17  
 5281 RV Boxtel  
 the Netherlands  
 info@backsaver.nl  
 www.backsaver.nl  
 Tel. +31(0)411 672652

CLIENT:  
 Van Oirschot Roestvrijstaal B.V.

TITLE:  
 BSMSNT

**PROPRIETARY AND CONFIDENTIAL**  
 THE INFORMATION CONTAINED IN THIS DRAWING IS THE SOLE PROPERTY OF VAN OIRSCHOT ROESTVRIJSTAAL BV - BOXTEL, THE NETHERLANDS. ANY REPRODUCTION IN PART OR AS A WHOLE WITHOUT THE WRITTEN PERMISSION OF VAN OIRSCHOT ROESTVRIJSTAAL BV - BOXTEL, THE NETHERLANDS IS PROHIBITED.

MATERIAL:  
 AISI304 (1.4301) / AISI316 (1.4404)  
 FINISH:  
 Glass bead blasting

DWG NO.  
 SW\_14106

A3

SCALE:1:15

SHEET 1 OF 1

