

Customizable

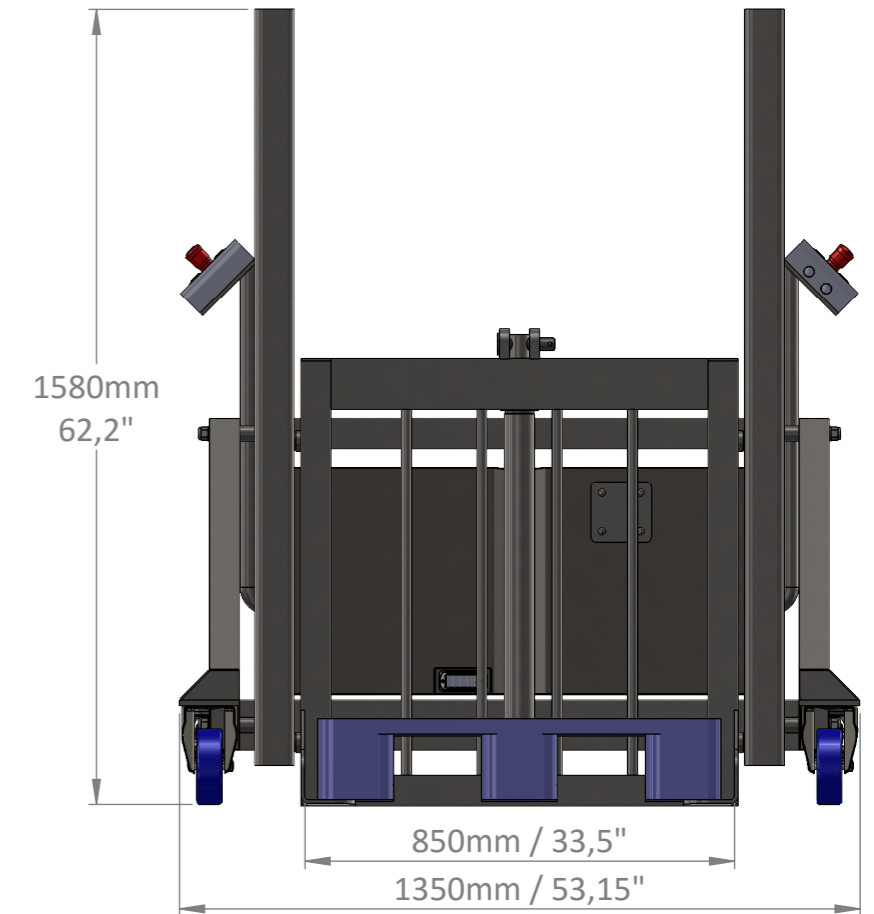
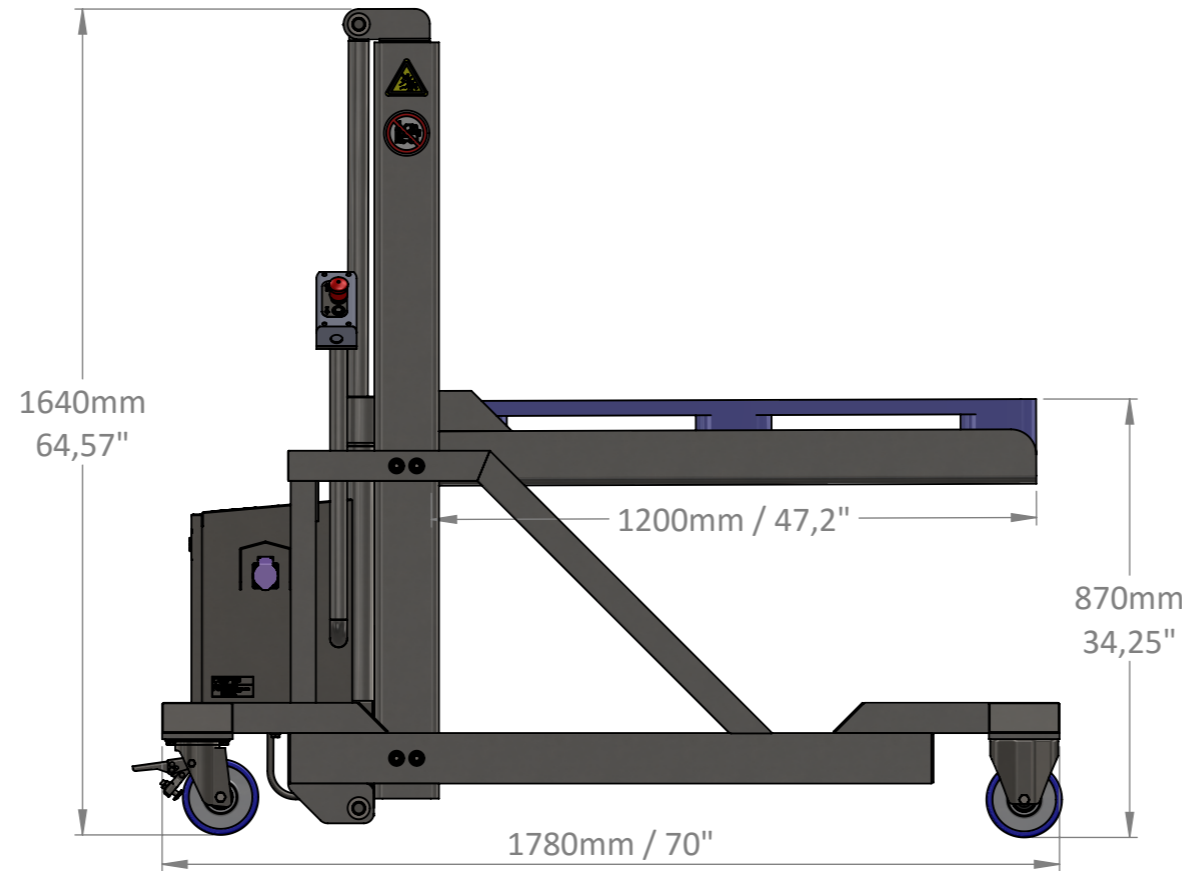
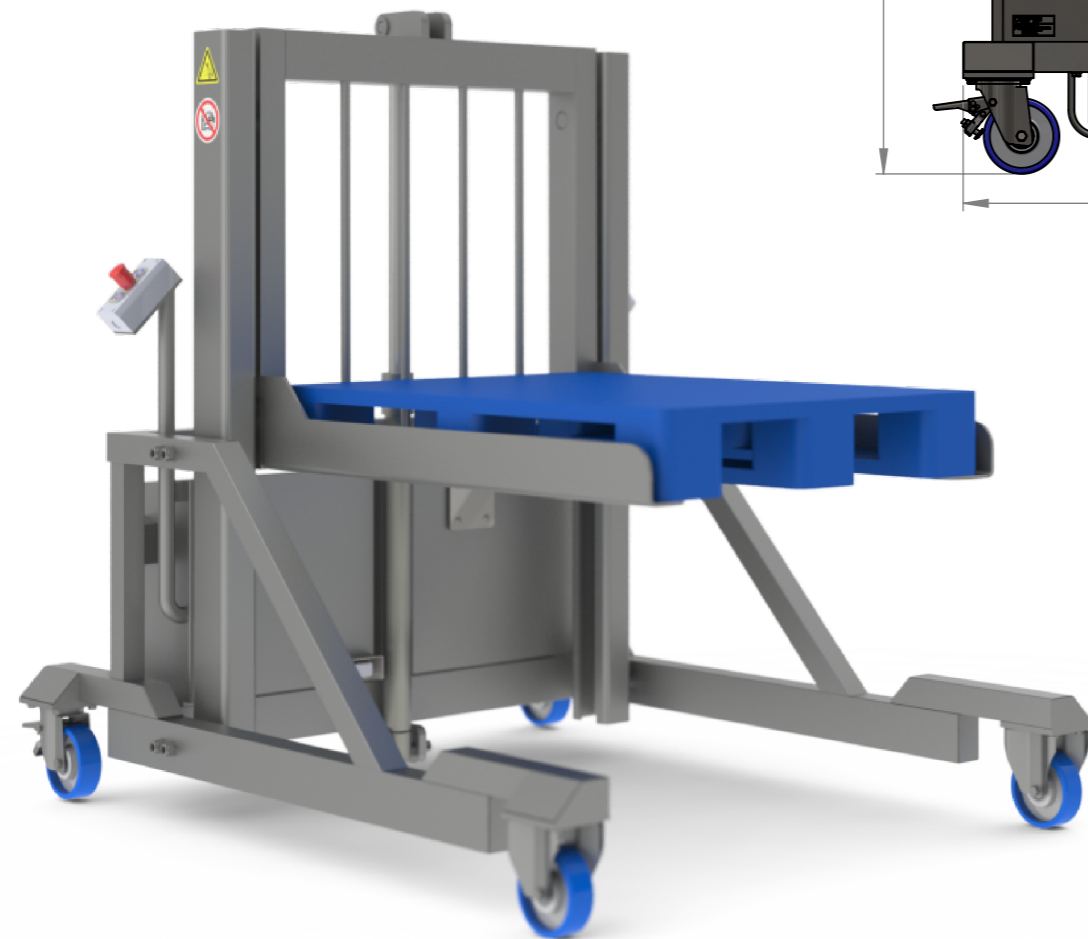
Demands:

Pallet Measures (LxWxH): x x

Pallet Weight: _____

Max. 800 kg. / 1750 lb.

Type: PLBR



DIMENSIONS TOLERANCES: LINEAR: ±5mm / ±0,2" ANGULAR: ±1°		PROJECTION METHOD 	BACKsaver work hard lift smart	DO NOT SCALE DRAWING						
<table border="1"> <thead> <tr> <th>NAME</th> <th>DATE</th> </tr> </thead> <tbody> <tr> <td>DRAWN RL</td> <td>2-3-2016</td> </tr> <tr> <td>CHK'D BvO</td> <td>2-3-2016</td> </tr> </tbody> </table>		NAME	DATE	DRAWN RL	2-3-2016	CHK'D BvO	2-3-2016	Kruisbroeksestraat 17 5281 RV Boxtel the Netherlands info@backsaver.nl www.backsaver.nl Tel. +31(0)411 672652	CLIENT: Van Oirschot Roestvrijstaal B.V.	TITLE: BSMPLBR
NAME	DATE									
DRAWN RL	2-3-2016									
CHK'D BvO	2-3-2016									
PROPRIETARY AND CONFIDENTIAL THE INFORMATION CONTAINED IN THIS DRAWING IS THE SOLE PROPERTY OF VAN OIRSCHOT ROESTVRIJSTAAL BV - BOXTEL, THE NETHERLANDS. ANY REPRODUCTION IN PART OR AS A WHOLE WITHOUT THE WRITTEN PERMISSION OF VAN OIRSCHOT ROESTVRIJSTAAL BV - BOXTEL, THE NETHERLANDS IS PROHIBITED.		MATERIAL: AISI304 (1.4301) / AISI316 (1.4404)	FINISH: Glass bead blasting	DWG NO. SW_11002						
		SCALE:1:15	SHEET 1 OF 1	A3						