

Customizable

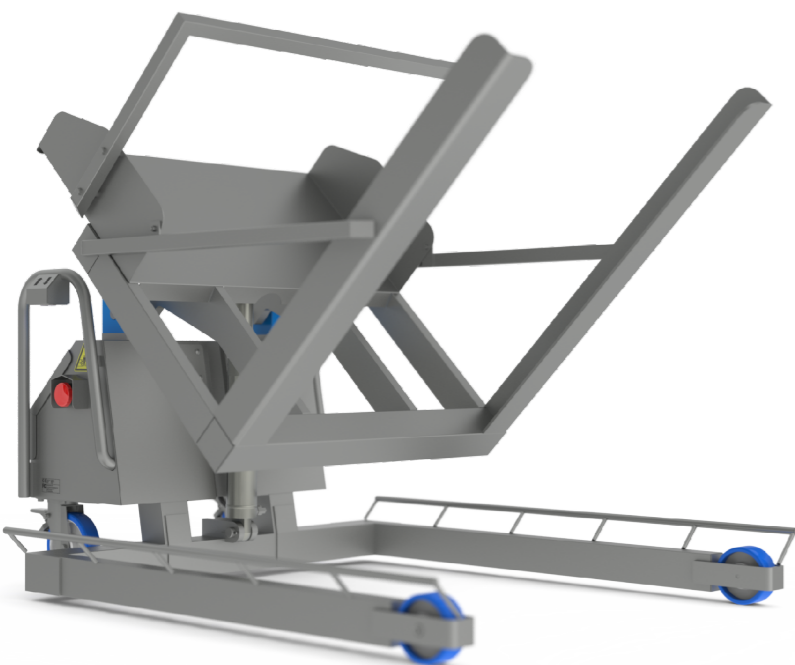
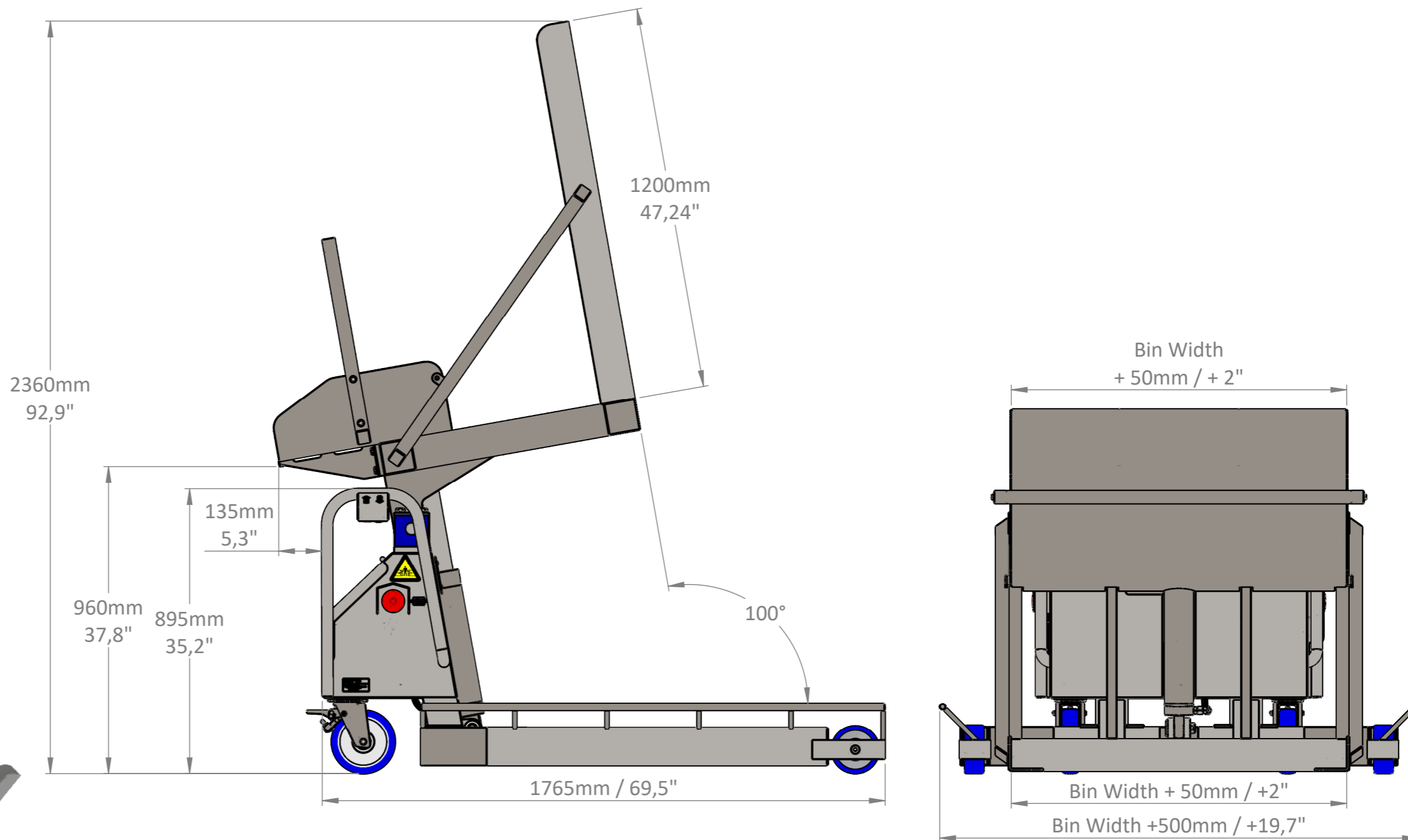
Demands:

Type: BR

Bin Measures (LxWxH): x x

Bin Weight: _____

Max. 900 kg. / 2000 lb.



DIMENSIONS TOLERANCES: LINEAR: ±5mm / ±0.2" ANGULAR: ±1°		PROJECTION METHOD 		BACKsaver work hard lift smart		DO NOT SCALE DRAWING	
DRAWN RL CHK'D BvO		NAME DATE 16-11-2019 16-11-2019		Kruisbroeksestraat 17 5281 RV Boxtel the Netherlands info@backsaver.nl www.backsaver.nl Tel. +31(0)411 672652		CLIENT: Van Oirschot Roestvrijstaal B.V.	
PROPRIETARY AND CONFIDENTIAL THE INFORMATION CONTAINED IN THIS DRAWING IS THE SOLE PROPERTY OF VAN OIRSCHOT ROESTVRIJSTAAL BV - BOXTEL, THE NETHERLANDS. ANY REPRODUCTION IN PART OR AS A WHOLE WITHOUT THE WRITTEN PERMISSION OF VAN OIRSCHOT ROESTVRIJSTAAL BV - BOXTEL, THE NETHERLANDS IS PROHIBITED.				MATERIAL: AISI304 (1.4301) AISI316 (1.4404)		TITLE: BSMBR	
				FINISH: Glass bead blasting		DWG NO. 16049	
						SCALE:1:15	
						SHEET 1 OF 1	



A3