

Customizable

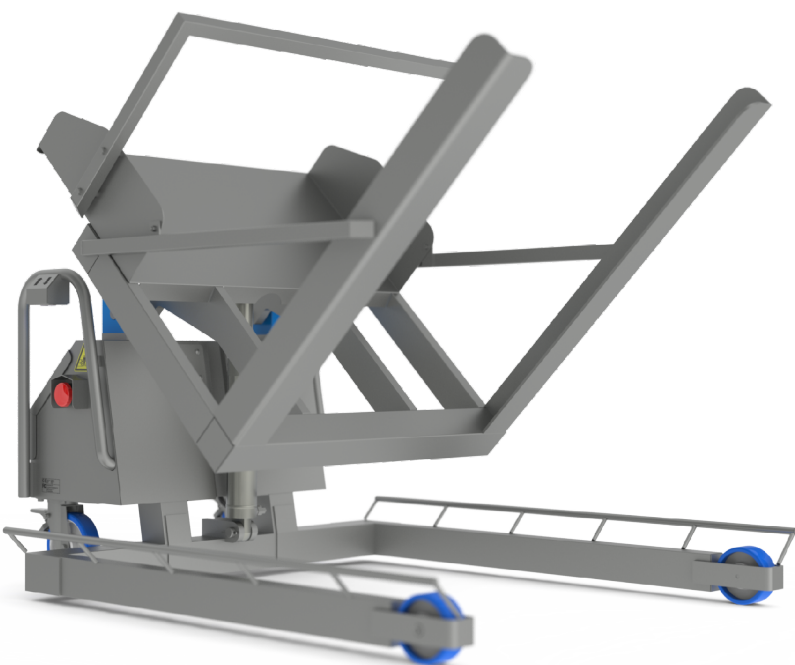
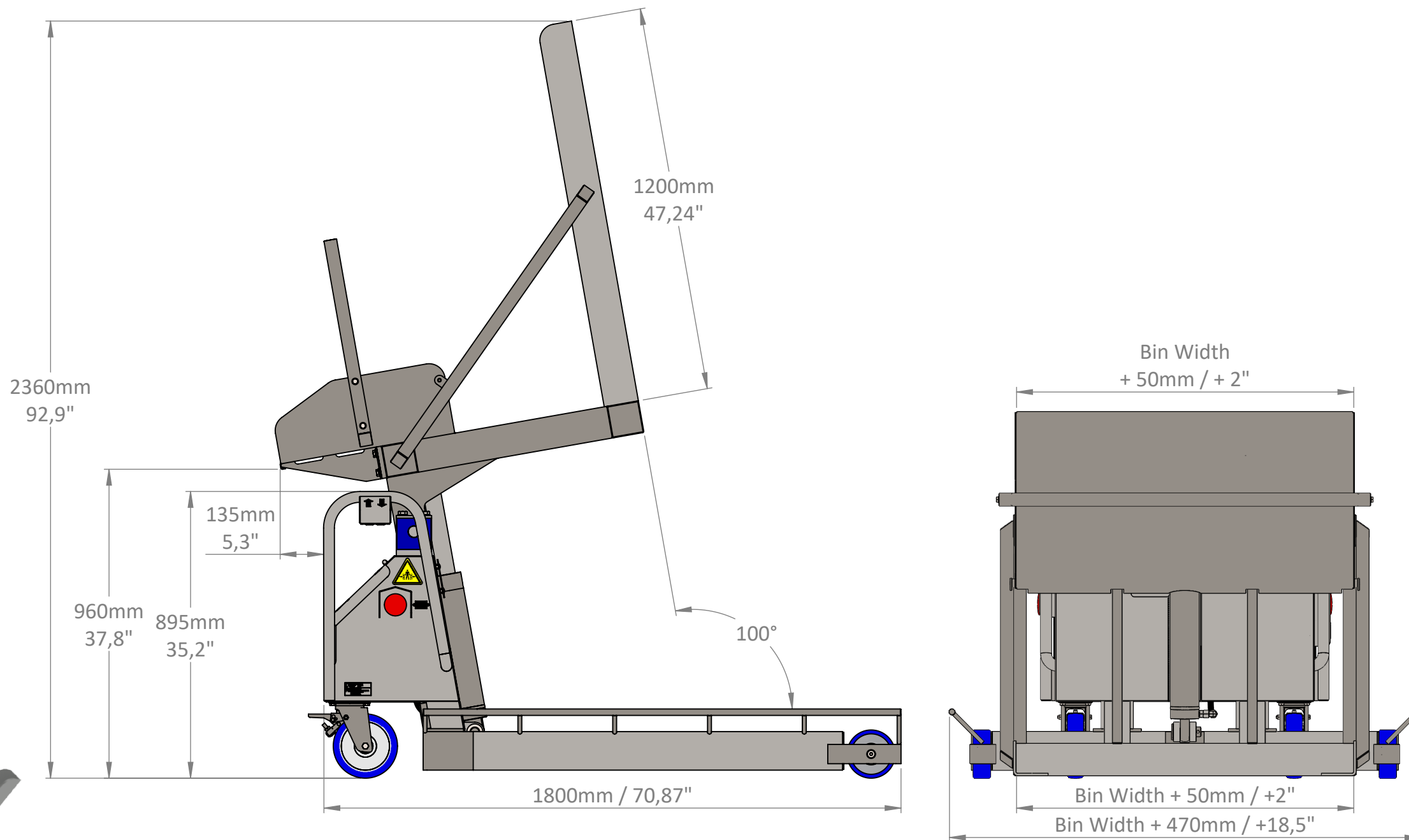
Demands:

Type: BR

Bin Measures (LxWxH): x x

Bin Weight: _____

Max. 900 kg. / 2000 lb.



DIMENSIONS TOLERANCES: LINEAR: ±5mm / ±0,2" ANGULAR: ±1°		PROJECTION METHOD 	DO NOT SCALE DRAWING	
DRAWN RL		DATE 20-6-2019	CLIENT: Van Oirschot Roestvrijsaal B.V.	
CHK'D BvO		DATE 20-6-2019	TITLE: BSMBR	
PROPRIETARY AND CONFIDENTIAL THE INFORMATION CONTAINED IN THIS DRAWING IS THE SOLE PROPERTY OF VAN OIRSCHOT ROESTVRIJSTAAL BV - BOXTEL, THE NETHERLANDS. ANY REPRODUCTION IN PART OR AS A WHOLE WITHOUT THE WRITTEN PERMISSION OF VAN OIRSCHOT ROESTVRIJSTAAL BV - BOXTEL, THE NETHERLANDS IS PROHIBITED.		Kruisbroeksestraat 17 5281 RV Boxtel the Netherlands info@backsaver.nl www.backsaver.nl Tel. +31(0)411 672652		DWG NO. 16049
MATERIAL: AlSi304 (1.4301) AISI316 (1.4404)		FINISH: Glass bead blasting		A3
SCALE:1:15			SHEET 1 OF 1	

