

Customizable

Demands:

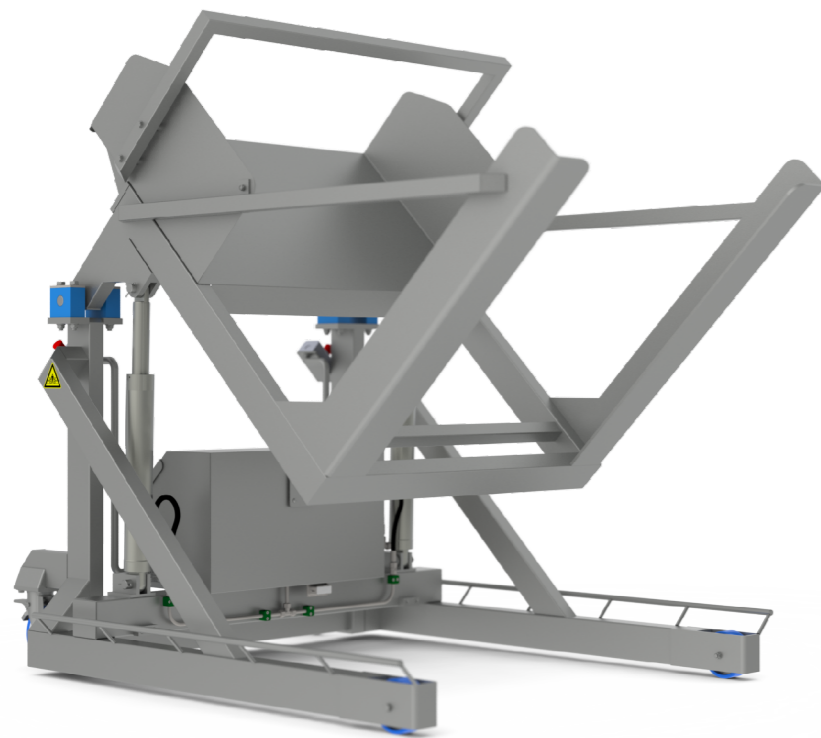
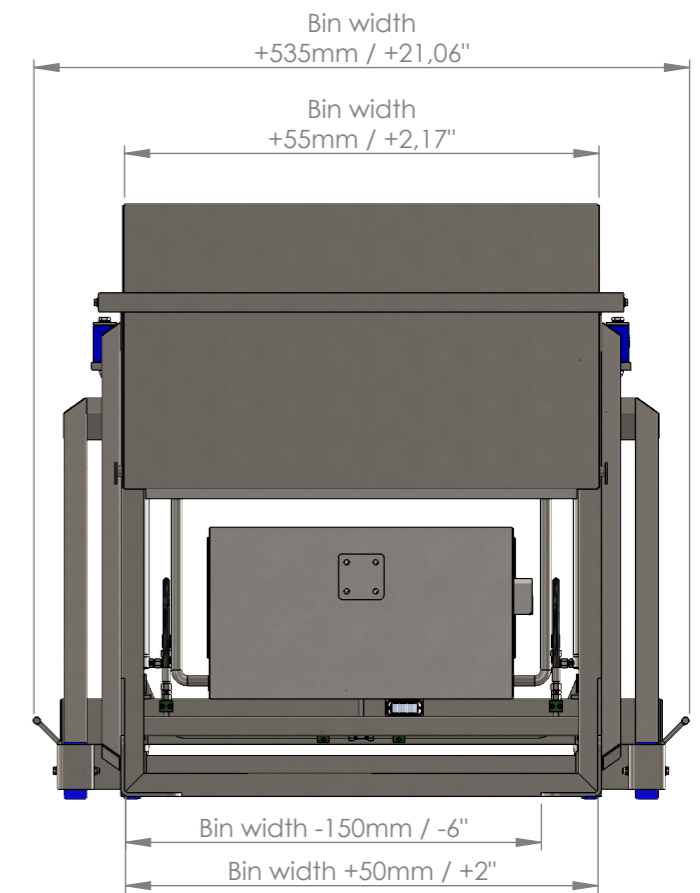
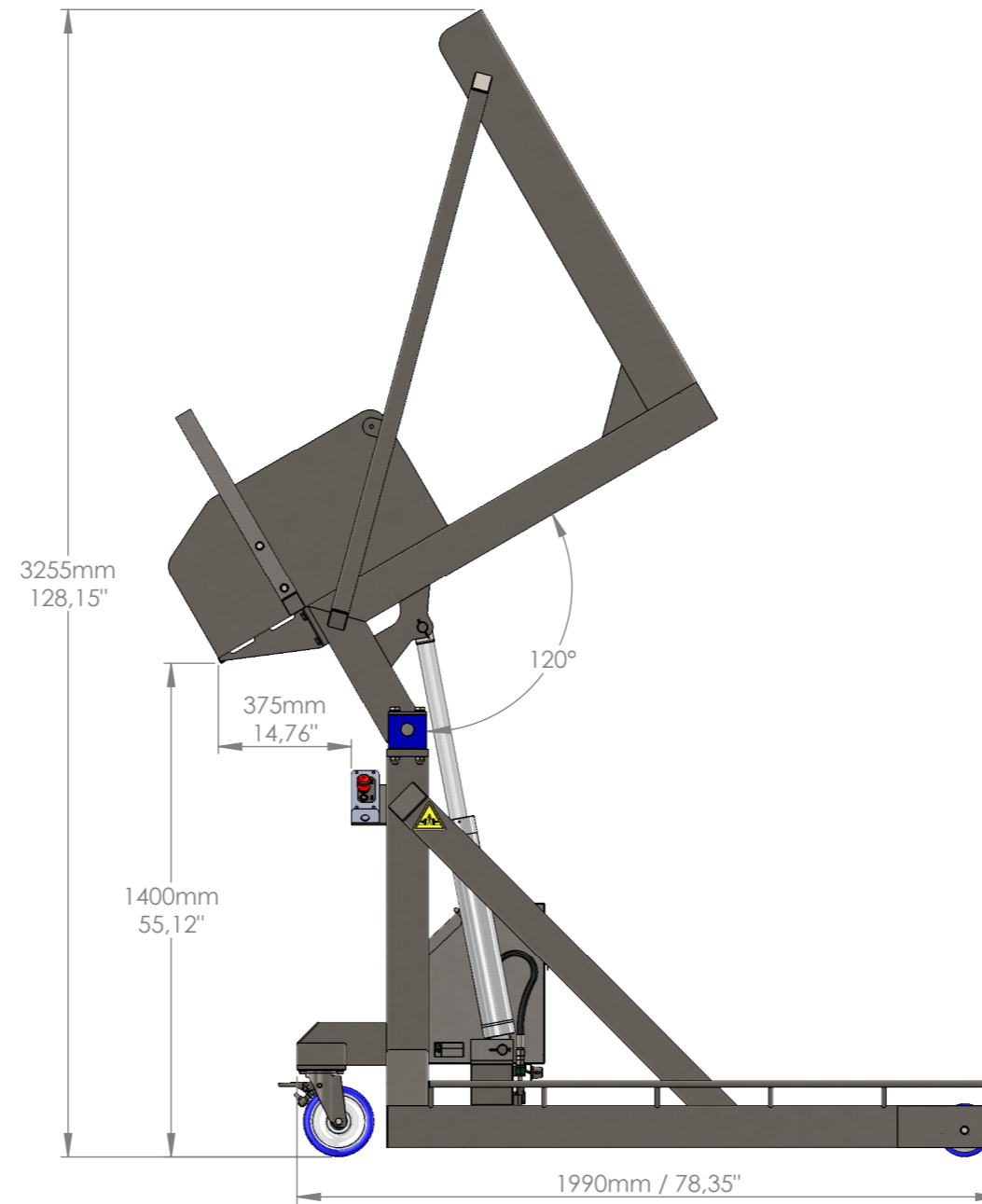
Bin Measures (LxWxH): x x

Bin Weight: _____

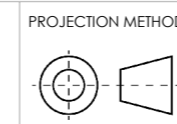
Max. 1500 kg. / 3300 lb.

Tipping height at 100° = 1565mm / 61,6"

Type: CD



DIMENSIONS TOLERANCES:
 LINEAR: ±5mm / ±0,2"
 ANGULAR: ±1°



BACKsaver
 work hard lift smart

DO NOT SCALE DRAWING

	NAME	DATE
DRAWN	RL	20-10-2016
CHK'D	BvO	20-10-2016

Kruisbroeksestraat 17
 5281 RV Boxtel
 the Netherlands
 info@backsaver.nl
 www.backsaver.nl
 Tel. +31(0)411 672652

CLIENT:
 Van Oirschot Roestvrijstaal B.V.

TITLE:
 BSMCD

PROPRIETARY AND CONFIDENTIAL
 THE INFORMATION CONTAINED IN THIS DRAWING IS THE SOLE PROPERTY OF VAN OIRSCHOT ROESTVRIJSTAAL BV - BOXTEL, THE NETHERLANDS. ANY REPRODUCTION IN PART OR AS A WHOLE WITHOUT THE WRITTEN PERMISSION OF VAN OIRSCHOT ROESTVRIJSTAAL BV - BOXTEL, THE NETHERLANDS IS PROHIBITED.

MATERIAL:
 AISI304 (1.4301) / AISI316 (1.4404)
 FINISH:
 Glass bead blasting

DWG NO.
 15161
 SCALE:1:20
 SHEET 1 OF 1



A3