

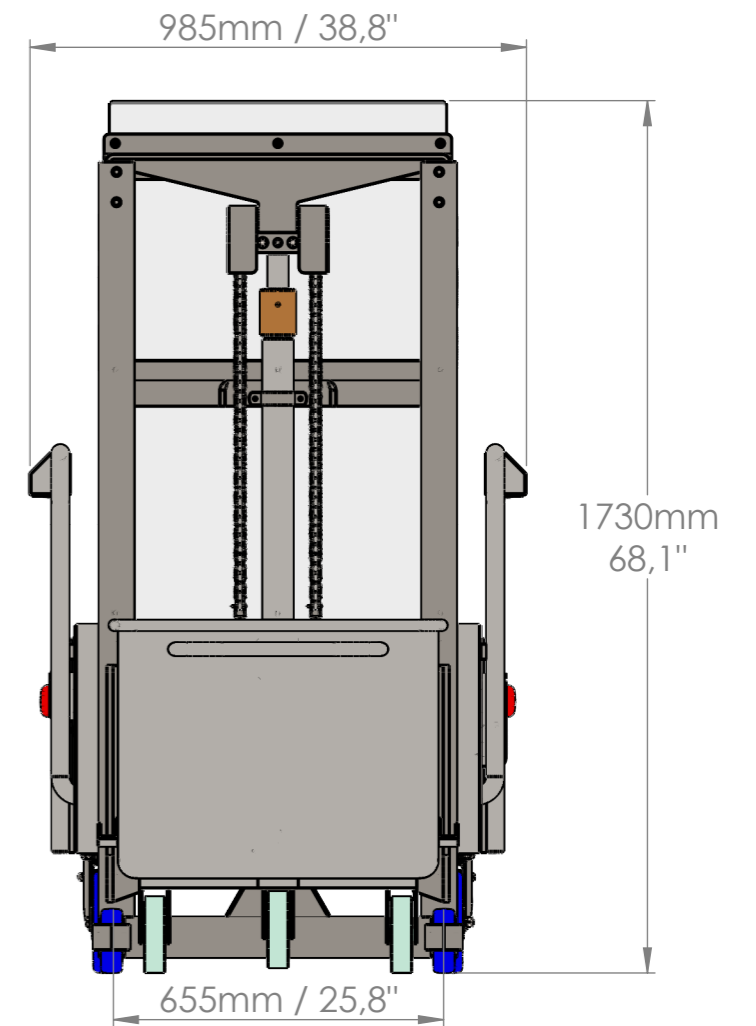
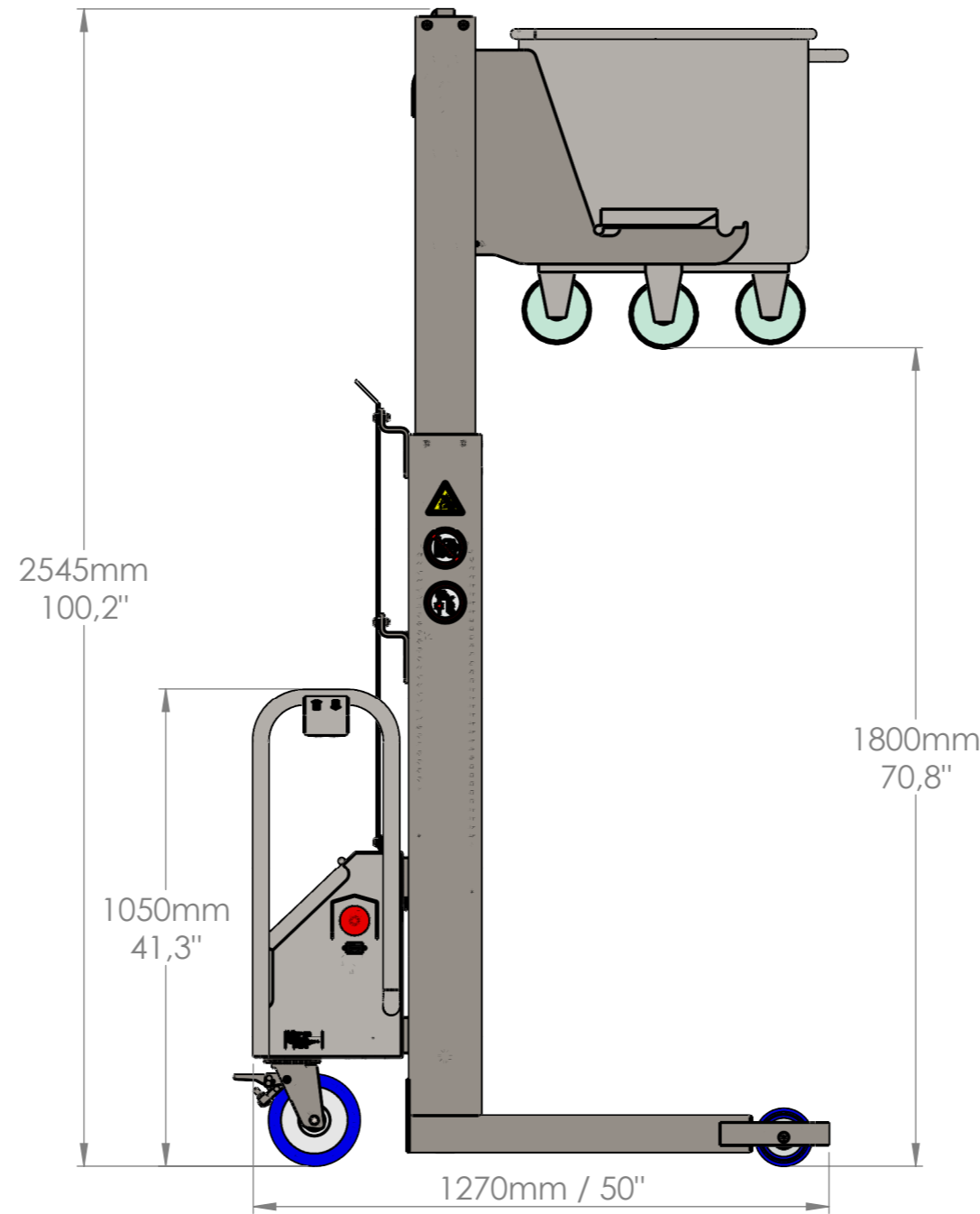
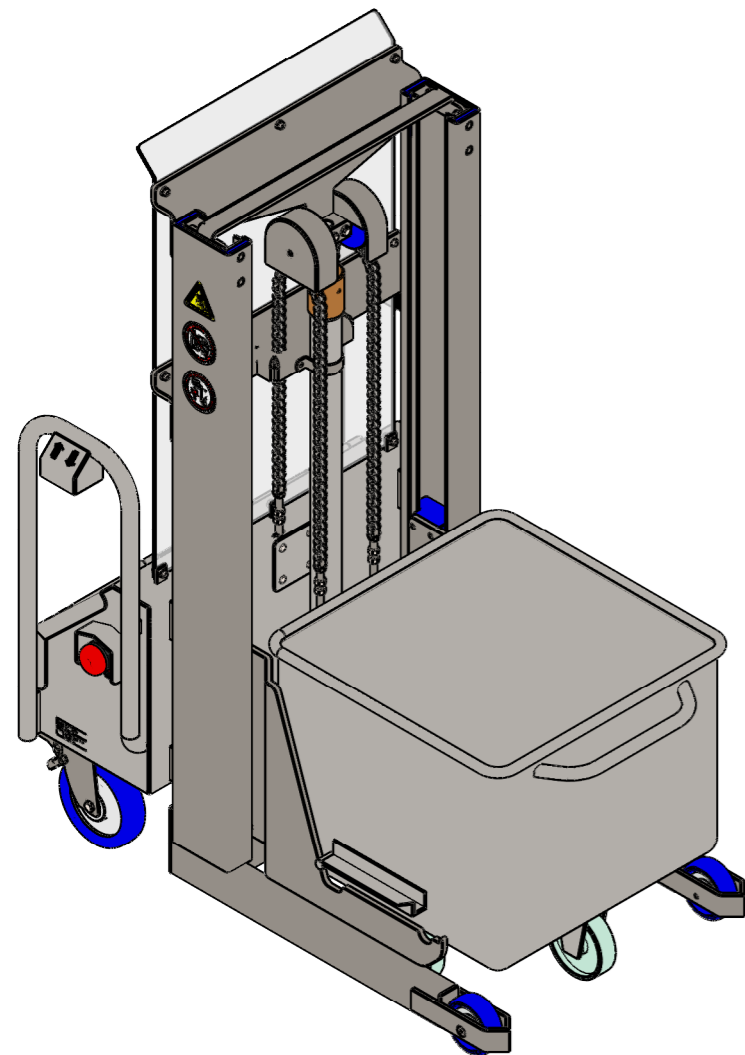
Customizable

Demands:

Bin Measures 200 L. / 300 L. Norm Trolley (DIN 9797)

Max. 400 Kg. / 880 Lb.

Type: SNT



DIMENSIONS TOLERANCES: LINEAR: ±5mm / ±0.2" ANGULAR: ±1°		PROJECTION METHOD
NAME	DATE	
DRAWN RL	13-11-2020	
CHK'D BvO	13-11-2020	

BACKsaver
work hard lift smart

Kruisbroeksestraat 17
5281 RV Boxtel
the Netherlands

info@backsaver.nl
www.backsaver.nl
Tel. +31(0)411 672652

DO NOT SCALE DRAWING

CLIENT:
Van Oirschot Roestvrijstaal B.V.

TITLE:
BSMSNT

PROPRIETARY AND CONFIDENTIAL
THE INFORMATION CONTAINED IN THIS DRAWING IS THE SOLE PROPERTY OF VAN OIRSCHOT ROESTVRIJSTAAL BV - BOXTEL, THE NETHERLANDS. ANY REPRODUCTION IN PART OR AS A WHOLE WITHOUT THE WRITTEN PERMISSION OF VAN OIRSCHOT ROESTVRIJSTAAL BV - BOXTEL, THE NETHERLANDS IS PROHIBITED.

MATERIAL:
AISI304 (1.4301) / AISI316 (1.4404)

FINISH:
Glass bead blasting

DWG NO.
20137

SCALE:1:15

SHEET 1 OF 1

IP56 CE FC

A3