

Customizable

Demands:

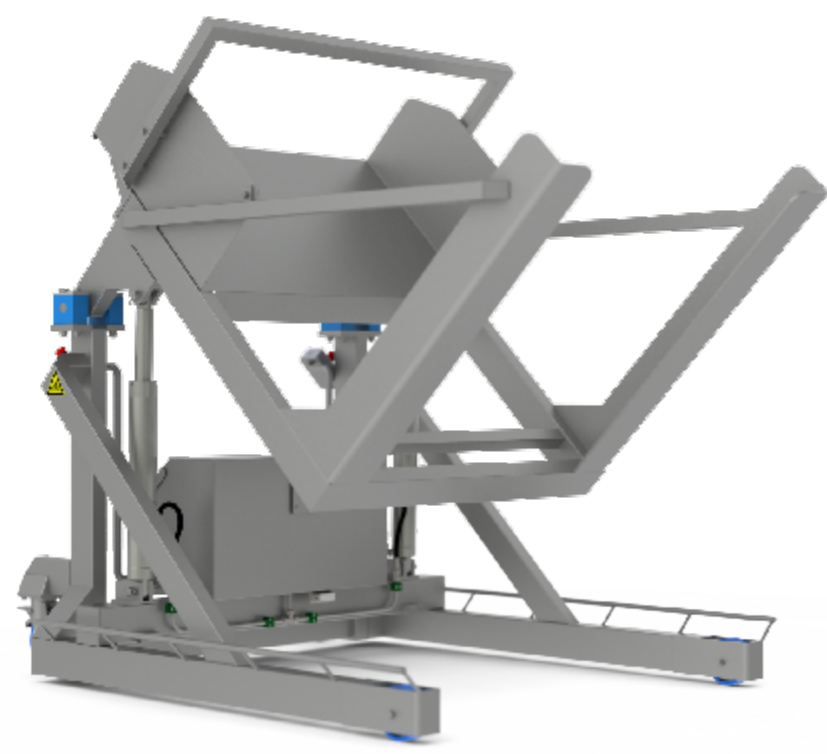
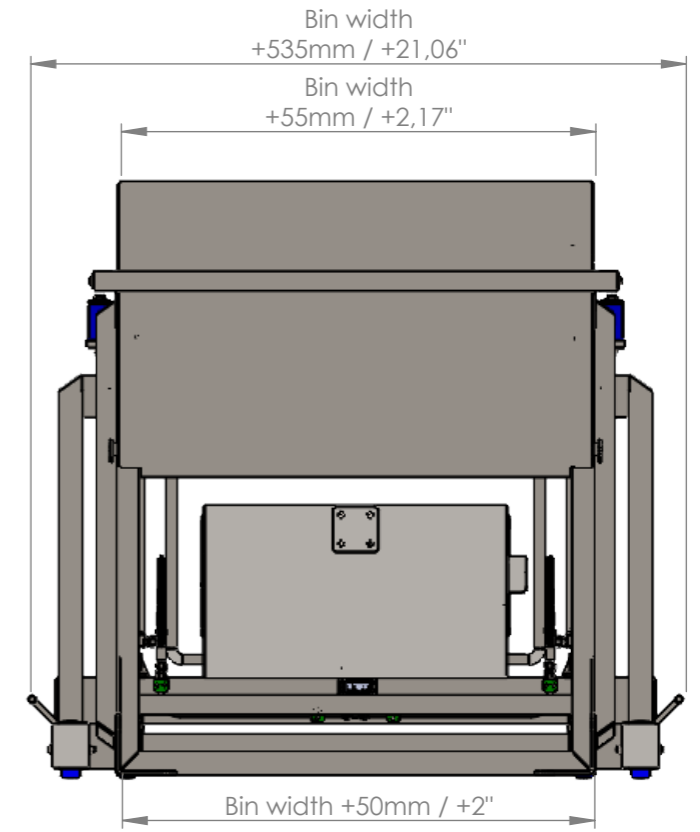
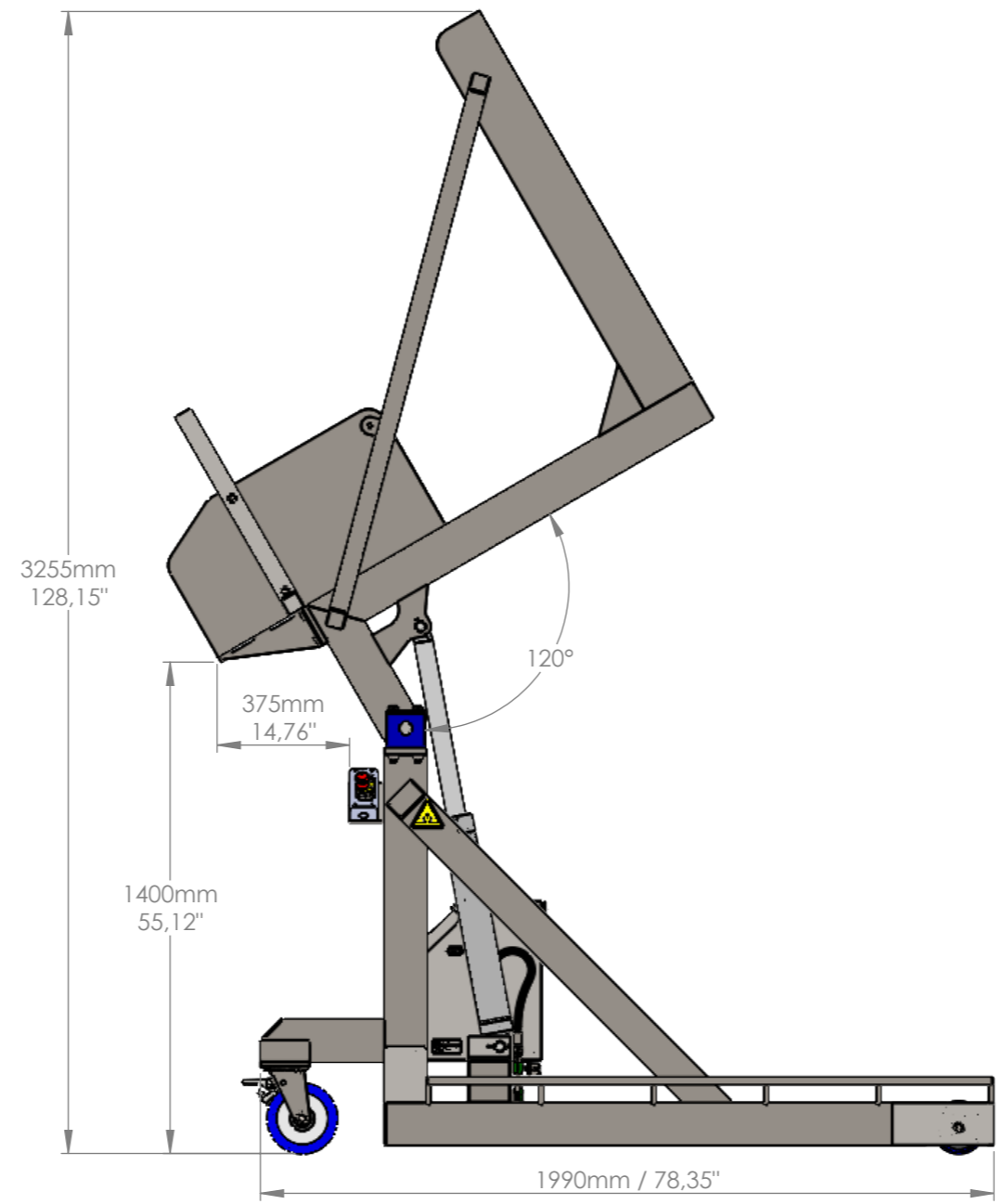
Bin Measures (LxWxH): x x

Bin Weight: _____

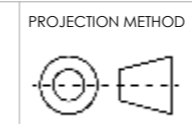
Max. 1500 kg. / 3300 lb.

Tipping height at 100° = 1565mm / 61,6"
 Tipping height at 110° = 1485mm / 58,5"

Type: CD



DIMENSIONS TOLERANCES:
 LINEAR: ±5mm / ±0,2"
 ANGULAR: ±1°



BACKsaver
 world hard lift smart

DO NOT SCALE DRAWING

	NAME	DATE
DRAWN	RL	17-5-2023
CHK'D	BvO	17-5-2023

Kruisbroeksestraat 17
 5281 RV Boxtel
 the Netherlands
 info@backsaver.nl
 www.backsaver.nl
 Tel. +31(0)411 672652

CLIENT:
 Van Oirschot Roestvrijsaal B.V.

TITLE:
 BSMCD

PROPRIETARY AND CONFIDENTIAL
 THE INFORMATION CONTAINED IN THIS DRAWING IS THE SOLE PROPERTY OF VAN OIRSCHOT ROESTVRIJSTAAL BV - BOXTEL, THE NETHERLANDS. ANY REPRODUCTION IN PART OR AS A WHOLE WITHOUT THE WRITTEN PERMISSION OF VAN OIRSCHOT ROESTVRIJSTAAL BV - BOXTEL, THE NETHERLANDS IS PROHIBITED.

MATERIAL:
 AISI304 (1.4301) / AISI316 (1.4404)
 FINISH:
 Glass bead blasting

DWG NO.
 15161

SCALE:1:20
 SHEET 1 OF 1



A3